

KT-99

Installation Instructions

Repair Parts List



Henkel, Inc.
P.O. Box 1322
Hammond, LA
70404

(985) 345-2171

www.keenovens.com



Henkel, Inc.

P.O. Box 1322 * Hammond, Louisiana * 70404 * (985) 345-2171
www.keenovens.com

Model KT-99 Oven Installation Instructions & Repair Parts List

One Year Limited Warranty

.....

Henkel, Inc. warrants its products against defects in material and workmanship. Henkel, Inc. will either repair or replace without charge any properly installed product which fails under normal operating conditions within one year from date of installation, provided it is returned to our factory, transportation prepaid, and our inspection determined it to be defective under the terms of this warranty. The warranty covers only equipment manufactured by Henkel, Inc., and does not extend to transportation, installation, or replacement charges at the buyers' facility; nor does it apply to any other equipment of another manufacturer used in conjunctions with Henkel, Inc. equipment. No other warranty, expressed or implies exists beyond that included in this statement.

.....

Keen Ovens

Model KT-99

Specifications

Capacity	36 " filler material
Volts (Dual)	120 V / 240 V
Watts	250 W / 1000 W
Thermostat	Dial Adjustable
Temperature	50°F-250°F
Insulation	1"
Interior Dimensions	20" X 37.5" X 47.5"
Net Weight	215 lbs.
Shipping Weight	250 lbs.
Shipping Dimensions	29" X 46" X 61.5"

Recommended Spare Parts

**When it is critical to have continuous operation of this unit;
we suggest having the following spare parts on hand:**

**Heating Element Assembly
Thermostat
Power Cord**

General Information

The model KT-99 Keen oven is designed for storing filler material and up to twelve 12” wire spools. The unit has seven compartmented shelves and a 12” X 36” drawer. These units are constructed of steel, treated, and then painted with a chemical resistant safety blue exterior finish. All models are Mercury free.

Safety Precautions

Read all instructions completely before attempting to operate this unit.

***** SAVE THESE SAFETY INSTRUCTIONS *****

To reduce the risk of electrical shock, fire, or personal injury follow the guidelines below:

- Before connecting unit to a power source, be sure the voltage supplied is the same as that specified on the nameplate of the unit.
- Check outlet to ensure proper grounding of the electrical cable. Have a licensed electrician check the A/C power outlet if you are not sure.
- Use this unit for its intended purpose as described by literature.
- Make sure power cord is located so that it will not be stepped on, tripped over, or otherwise subjected to stress of heat, oil, or sharp edges. Do not close doors on the cord.
- To reduce the risk of damage to the electric plug and cord, disconnect by plug rather than by the cord.
- Do not use this unit if cord or plug is in poor condition. If it has been exposed to weather or immersed in water, have a qualified serviceman inspect and replace parts as necessary.
- **WARNING! NEVER HANDLE PLUG, CORD, OR UNIT WITH WET HANDS OR WHILE STANDING IN WATER.**
- Use special care when moving heavily loaded units.

- Do not store combustible material on or around the unit.
- Do not operate this unit empty.
- When using the unit at a distance where an extension cord becomes necessary, a 3-conductor grounding cord of adequate size must be used for safety, and to prevent loss of power and overheating. Use only a UL listed extension cord suitable for outdoor use. Make certain wire size is large enough for A/C amperage rating of unit.

Operation

Load oven in an area free of combustible material and close to an appropriate electrical source. (Check nameplate for voltage.) Adjust leveling bolts on legs so that oven is level and tilted slightly to the back. Load oven with filler material and wire spools to be stores. To turn on unit, simply plug the power cord into an appropriate single phase A/C source and adjust thermostat to desired setting.

The oven is supplied with a 6' UL listed 16/3 SJ cord. The unit will operate on 120 V with 250 watts of heat, or 240 V with 1000 watts of heat. Electrical plugs are not supplied with the unit due to the many different receptacle configurations in the field.

*****CAUTION: DO NOT USE ON D/C POWER SUPPLY!*****

Temperature Setting

The thermostat is adjustable from 50°F (10°C) – 250°F (121.5°C). Turn thermostat knob to desired temperature by aligning with red line on chrome bezel. Pilot light indicates when power is supplied to the heating element. The thermostat is accurate to $\pm 25^\circ\text{F}$ (14° C) at the sensor. Temperature variance is minimal throughout the oven due to the heat exchanging qualities of the Keen shelving system.

Functional Description

The KT-99 was designed for the aerospace industry for storing 36" long filler material and spooled welding wire. The unit has seven channeled shelves for storing filler material. The shelves are constructed from perforated steel and have room for labeling shelf contents. The unit also has a storage drawer capable of holding twelve spools of welding wire. The front door of the KT-99 is made of clear lexan with a keyed locking hatch.

Guide to Storage

See the enclosed guide to storage. This guide may be used in the absence of storage information from the electrode manufacturer. In critical situations, contact your electrode manufacturer.

Scheduled Maintenance

The manufacturer recommends that unit be unloaded and cleaned of debris and dust every six months. It is also recommended that a temperature probe be placed inside the unit next to the thermocouple, and the controller calibration checked at this time.

Troubleshooting

The Keen oven model KT-99 requires a minimal amount of electrical knowledge to repair if necessary.

IF OVEN FAILS TO OPERATE – NO HEAT

1. Check power source.
2. Check power cord continuity. Replace cord assembly if faulty.
3. If pilot light glows, voltage is being supplied to heating element. Check element continuity. If defective, replace.
4. If thermostat cannot be heard clicking on and off when dial is rotated, and if pilot light fails to operate, replace thermostat.

IF OVEN OVERHEATS

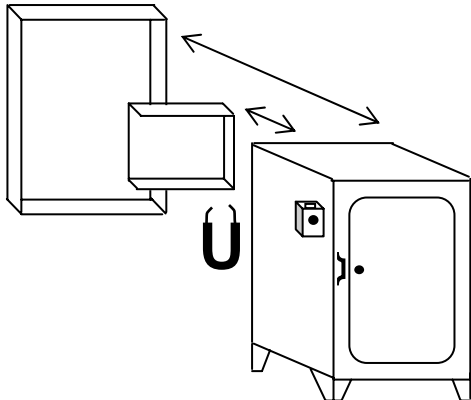
If oven fails to cycle on and off and reaches a temperature above 250°F, thermostat is faulty and needs replacing. If oven operates but is off from setting, see calibration instructions.

Corrective Maintenance

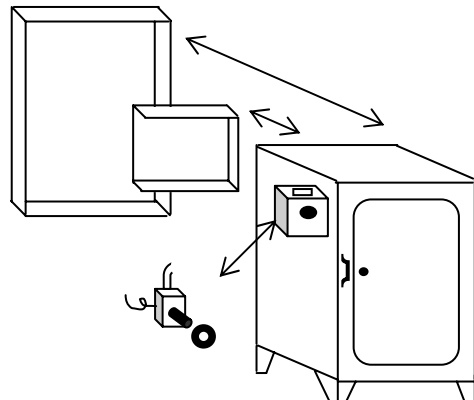
CHANGING HEATING ELEMENTS

1. Disconnect oven from power source.
2. Remove back cove, insulation, and element cover.
3. Remove cover plate from handy box and remove wire connectors from element leads.
4. Remove hex nuts from element mounting bolts and remove insulators, element and element brackets.
5. Install new element, brackets and insulators. (New brackets, insulation and leads are supplied with replacement elements.)
6. Reconnect element leads as per wiring diagram.
7. Replace element cover, insulation, back cover, and handy box cover and cover plate.

Changing the Heating Element



Changing the Thermostat



KT-99 ACCESSORIES LIST

** Please state model number and serial number and specify voltage and wattage when ordering repair parts, spare parts, or accessory parts. All necessary attaching hardware is supplied with each part ordered.
(Item numbers refer to pictorial drawings below for repair parts.)

Model KT-99 Repair Parts List

ITEM #	QUANTITY	DESCRIPTION	PART NUMBER
1	1	Neon Pilot	301085
2	1	Power Cord	301018
3	1	Thermostat Assembly	301037
		a. Thermostat	
		b. Knob	
		c. Bezel	
4	1	Heating Element Assembly	301026
		a. Element	
		b. Brackets	
		c. Insulation	
		d. Wire Leads	
5	1	Cord Protector	301043
6	2	Locking Catch	430107

