

SPECIFICATIONS

VOLTAGE/PHASE/WATTS: 240/3/3KW

TEMP CONTROL: DIGITAL & BLOWER

INSULATION: 2"

INTERIOR DIMENSIONS: 36"Dx36"Wx36"H

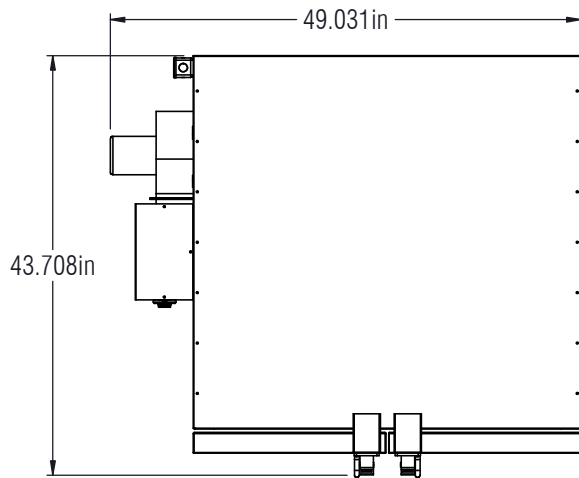
TRAY CAPACITY: 50 LBS

email: sales@keenovens.com
office #: 985-345-2171

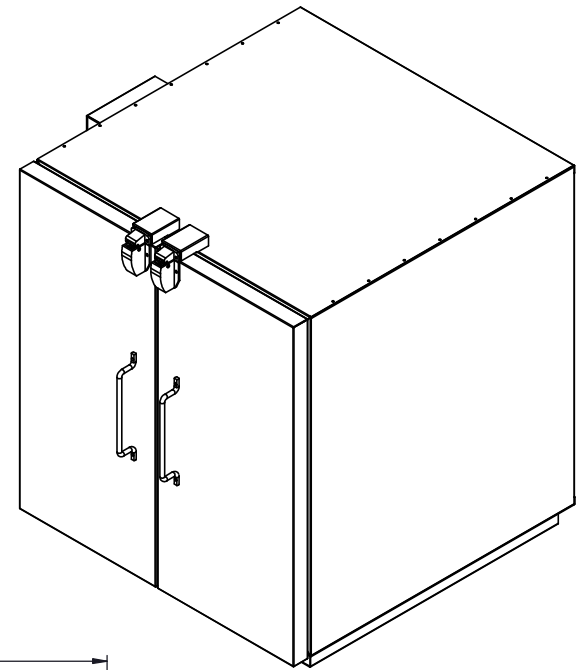


TITLE: K-PH27FCDD		REV. A
DRAWING: ASSEMBLY & SPECS DIGITAL/BLOWER		SHEET: 1 OF 18
DRAWN BY: GW	APP. BY: -	
DRAWN BY DATE: 5/8/17	APP. BY DATE: -	

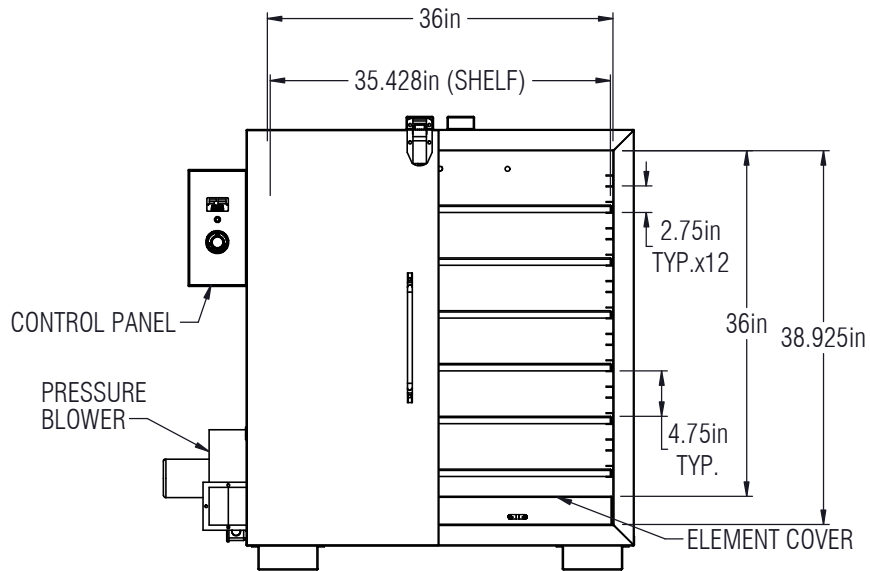
CUSTOMER APPROVAL SIGNATURE _____



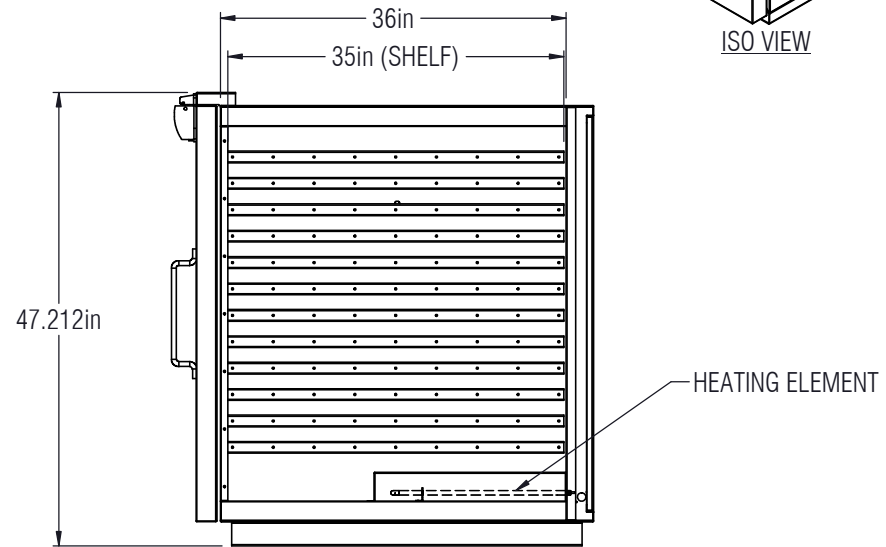
TOP VIEW



ISO VIEW



FRONT VIEW
(DOOR REMOVED FOR CLARITY)



SIDE VIEW
(SIDE REMOVED FOR CLARITY)

SPECIFICATIONS

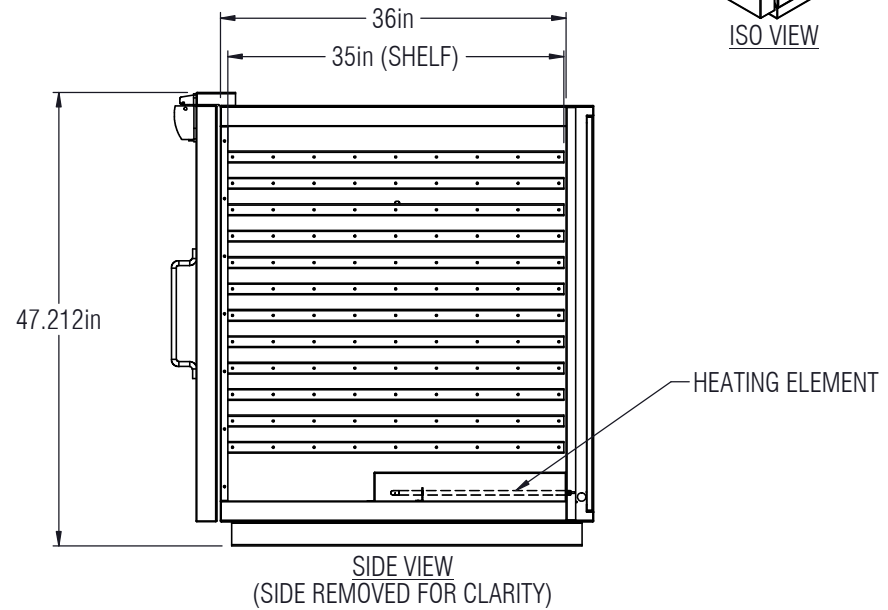
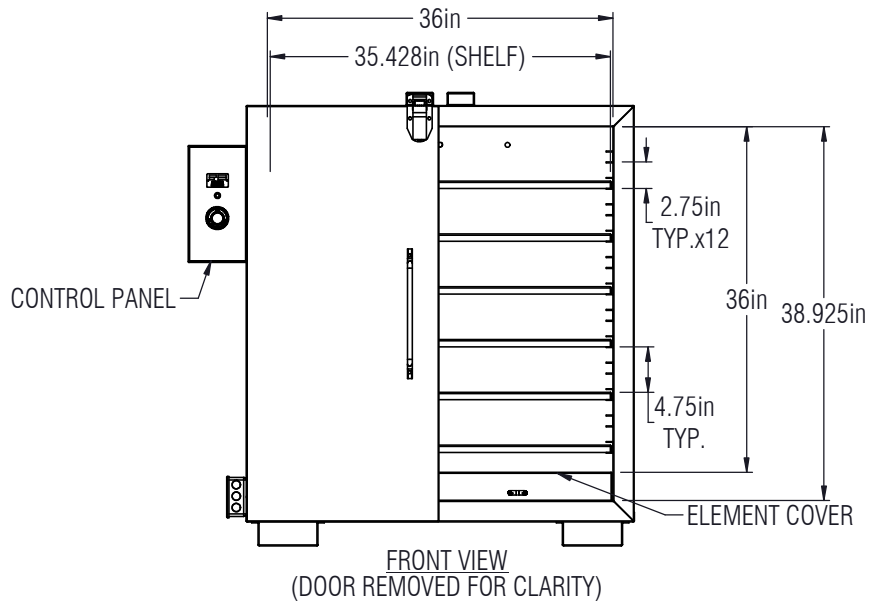
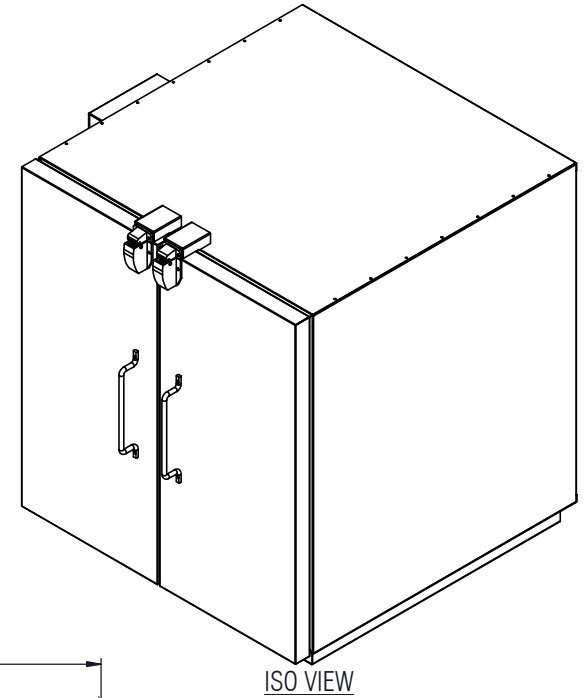
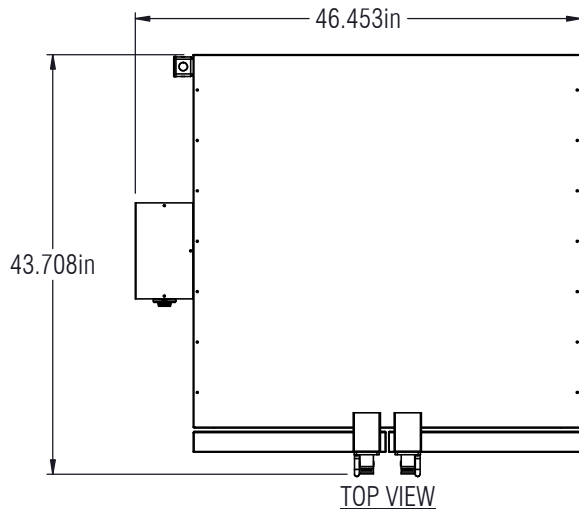
VOLTAGE/PHASE/WATTS: 240/3/3KW
 TEMP CONTROL: DIGITAL & BLOWER
 INSULATION: 2"
 INTERIOR DIMENSIONS: 36"Dx36"Wx36"H
 TRAY CAPACITY: 50 LBS

email: sales@keenovens.com
 office #: 985-345-2171



TITLE: K-PH27FCDD		REV. A
DRAWING: ASSEMBLY & SPECS ANALOG/BLOWER		
DRAWN BY: GW	APP. BY: -	SHEET: 2 OF 18
DRAWN BY DATE: 5/8/17	APP. BY DATE: -	

CUSTOMER APPROVAL SIGNATURE _____



SPECIFICATIONS

VOLTAGE/PHASE/WATTS: 240/3/3KW

TEMP CONTROL: DIGITAL & BLOWER

INSULATION: 2"

INTERIOR DIMENSIONS: 36"Dx36"Wx36"H

TRAY CAPACITY: 50 LBS

email: sales@keenovens.com
office #: 985-345-2171



TITLE: K-PH27FCDD		REV. A
DRAWING: ASSEMBLY & SPECS ANALOG		SHEET: 3 OF 18
DRAWN BY: GW	APP. BY: -	
DRAWN BY DATE: 5/8/17	APP. BY DATE: -	

CUSTOMER APPROVAL SIGNATURE _____