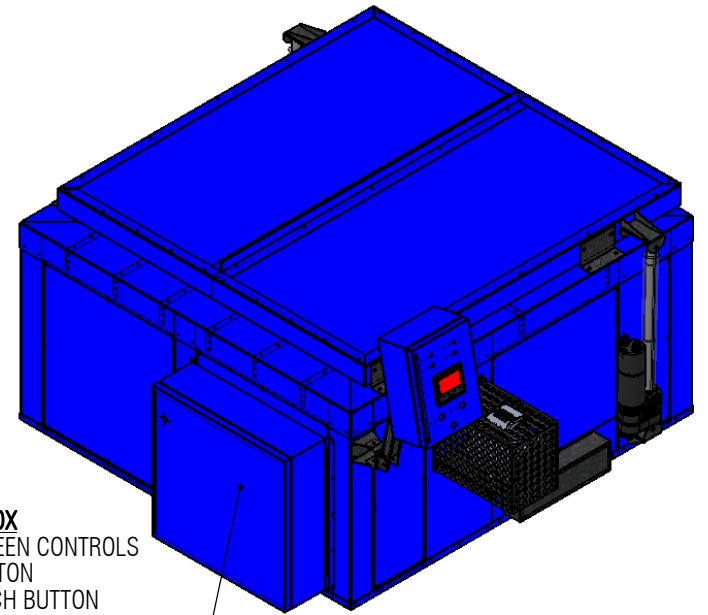
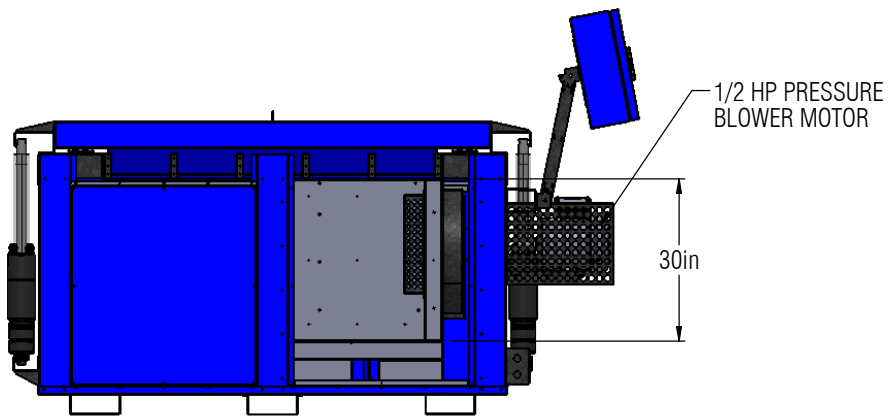


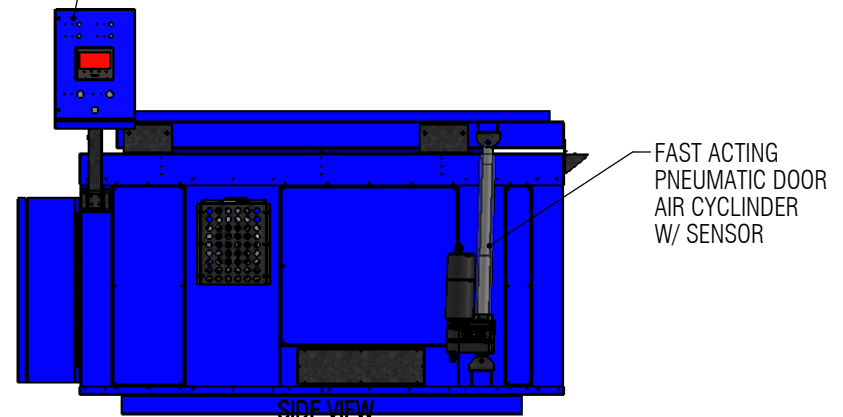
TOP VIEW
(DOOR REMOVED FOR CLARITY)



- CONTROL BOX**
 TOUCH SCREEN CONTROLS
 E-STOP BUTTON
 DOOR SWITCH BUTTON
 HIGH TEMP OVER-PROTECTION
 DOOR SAFETY SWITCH
 VFD CONTROLLED 1200CFM
 PRESSURE BLOWER



FRONT VIEW
(PANEL REMOVED FOR CLARITY)



SIDE VIEW
(PANEL REMOVED FOR CLARITY)

SPECIFICATIONS

VOLTAGE/PHASE/WATTS: 480/3/40,000-50AMPS

TEMP CONTROL: DIGITAL TOUCH SCREEN

TARGET/MAX. TEMP.: 500 °C /537 °C

INSULATION: 8"

INTERIOR DIMENSIONS: 48"Lx48"Wx30"H

EXTERIOR DIMENSIONS: _____

TRAY CAPACITY: BASE 6.000LBS

APPROX. WEIGHT: _____

email: sales@keenovens.com
office#: 985-345-2171



TITLE:

KHT-TL40

DRAWING:
ASSEMBLY AND SPECS

REV.
A

DRAWN BY: GW

APP.BY: -

SHEET:

DRAWN BY DATE: 3/4/2020

APP.BY DATE: -

1 OF 36

CUSTOMER APPROVAL SIGNATURE _____